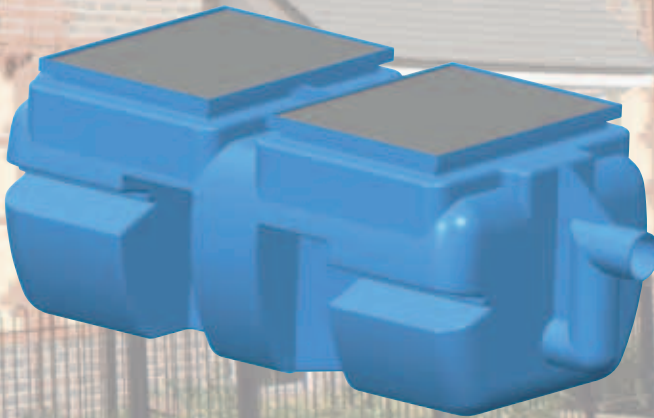




Grease Trap Installation Guide GT01 & GT02



GT01 Domestic Grease Trap - 40 L

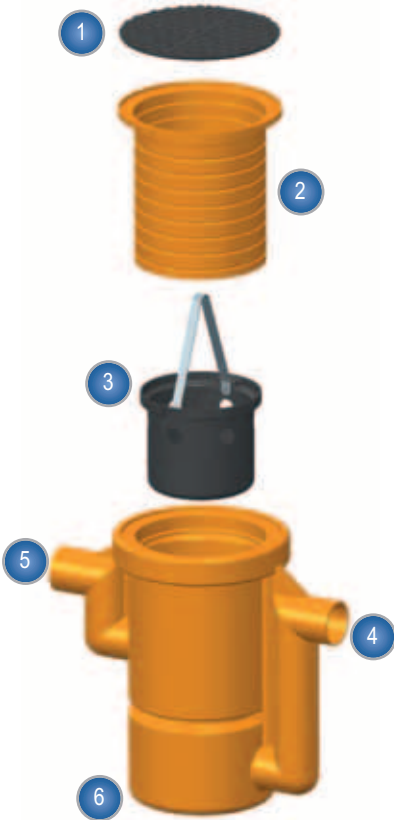


GT02 Large Domestic Grease Trap - 200 L

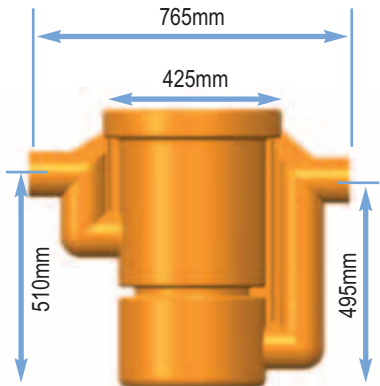
GT01: Domestic Grease Trap - 40L

Installation

- The Grease Trap should be sited externally and close to the discharge point. (e.g. under the footpath outside the Kitchen)
- Prepare an excavation with the following dimensions
 - Length: 950mm
 - Width: 550mm
 - Depth: dependant on pipe work
- Install a 75mm concrete base under the unit ensuring the inlet connection is inline with the inlet pipe
- Connect the inlet & outlet of the Grease Trap to the appropriate branch drain using a suitable collar.
- Cut the riser to the required level and install into the top of the grease trap
- Fill the main chamber with clean tap water
- Insert the perforated filter bucket into the grease trap and fit access cover.
- Double check all connections and levels.
- Backfill with pea gravel or similar material in pedestrian areas
- Backfill with 25N concrete in lightly trafficked areas (e.g. car park)
- Seek advise from a structural engineer for HGV applications



- | | |
|------------------|----------------|
| 1. Access Cover | 4. Outlet |
| 2. Riser | 5. Inlet |
| 3. Filter Bucket | 6. Grease Trap |



GT01 Domestic Grease Trap - 40 L

Dimensions: 765 x 425 x 665mm

Material: Polyethylene

GT01-R (Riser / Extension)

Dimensions: Ø 400 x 330mm (h)

Material: Polyethylene

GT01-L (Access Cover)

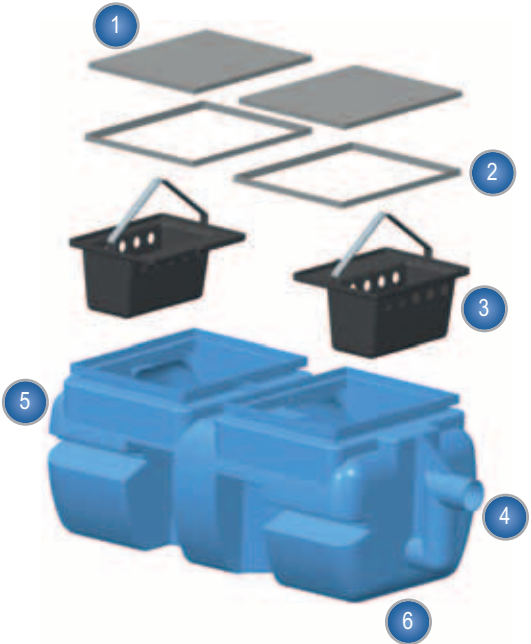
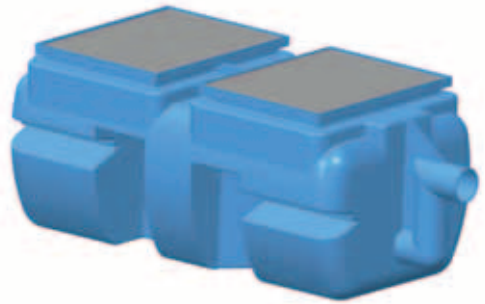
Dimensions: Ø 380mm x 10mm (h)

Material: Cast Iron

GT02: Large Domestic Grease Trap - 200L

Installation

- The Grease Trap should be sited externally and within 5m of the discharge point. (e.g. under the footpath outside the Kitchen)
- Prepare an excavation with the following dimensions
 - Length: 2115mm
 - Width: 1050mm
 - Depth: dependant on pipe work
- Install a 75mm concrete base under the unit ensuring the inlet connection is inline with the inlet pipe
- Connect the inlet & outlet of the Grease Trap to the appropriate branch drain using a suitable collar.
- Fill the main chamber with clean tap water
- Insert the perforated filter bucket into the grease trap and fit access cover.
- Double check all connections and levels.
- Backfill with pea gravel or similar material in pedestrian areas
- Backfill with 25N concrete in lightly trafficked areas (e.g. car park)
- Seek advise from a structural engineer for HGV applications



- | | |
|------------------|----------------|
| 1. Access Cover | 4. Outlet |
| 2. Frame | 5. Inlet |
| 3. Filter Bucket | 6. Grease Trap |

GT02 Large Domestic Grease Trap - 200L

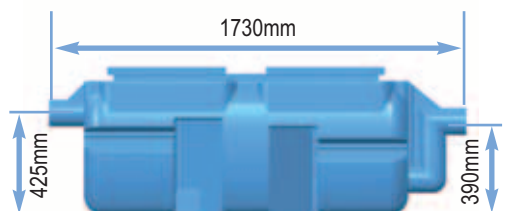
Dimensions: 1730 x 660 x 630mm

Material: Polyethylene

GT02-L (Access Cover)

Dimensions: 470 x 620 x 20mm

Material: Galvanised Steel





Cleaning Procedures:

- Suitable maintenance requires frequent monitoring and cleaning of the grease trap.
- After installation the grease trap should initially be inspected twice weekly and emptied as required.
- When the grease trap is in operation for some time a pattern of emptying will develop which will determine the frequency of inspection/cleaning.

GT01 Maintenance:

- To remove the grease and solids that are trapped in the filtering bucket, open the access cover and extract the bucket from the main chamber.
- Wastewater will escape through the holes in the bucket with the deposited solids being trapped in the base of the bucket
- The bucket may have to be emptied 2-3 times to remove all the sludge from the grease trap.
- Remaining oils on the surface will have to be removed by skimming with a ladle or similar item.
- Dispose of the contents of the bucket in an appropriate manner and place it back in the chamber of the grease trap.
- The grease trap should then be primed with clean water to the working level of the trap.

GT02 Maintenance:

- To remove the grease and solids that are trapped in the filtering buckets, open both access covers.
- The chamber nearest the inlet is for the collection of solids, (food particles, fats etc) to clean this chamber remove the filtering bucket from the chamber.
- Wastewater will escape through the holes in the bucket with the deposited solids being trapped in the base of the bucket. The outlet chamber is for collection of non-soluble greases.
- To clean the outlet chamber remove the filtering bucket from the chamber. As you are removing the bucket you are also removing the grease that has built up on the surface. Remaining oils on the surface will then have to be removed by skimming with a ladle or similar item.
- Dispose of the contents of the buckets in an appropriate manner and place them back in the chambers of the Grease trap again. Remember not to have any appliance or taps in operation when you are cleaning the grease trap. The grease trap should then be primed with clean water to the working level of the trap.

Ireland:

JFC Manufacturing Co. Ltd, Weir Road, Tuam, Co Galway, Ireland.

T: +353 93 24066 | e: info@jfc.ie | w: www.jfc.ie

United Kingdom:

JFC Plastics Ltd, Hardwick Road, Astmoor Ind Estate, Runcorn, Cheshire, WA7 1PH, UK

T: +44 (0) 1928 583390 | e: info@jfcplastics.com | w: www.jfcplastics.com

