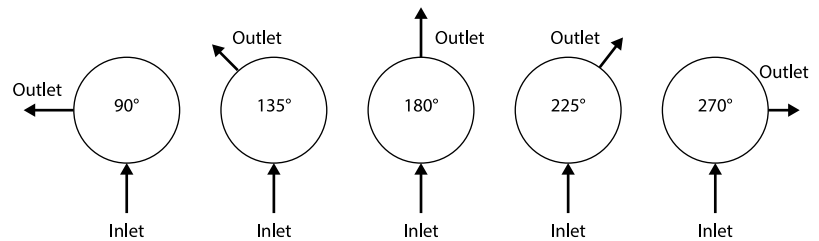
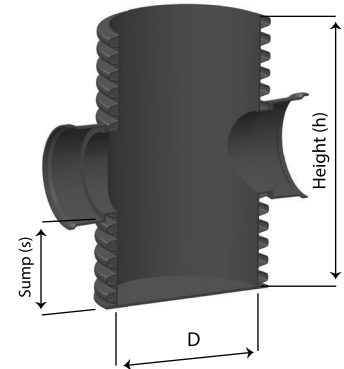
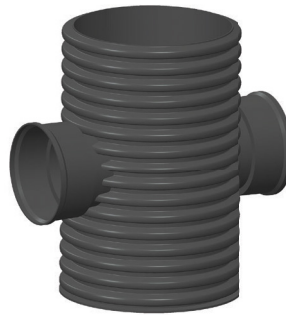


Catchpits

JFC design a range of catchpits / silt traps to separate silt and other particles. This improves the quality of water before it is reintroduced back into the drainage system. As each individual SuDS system is different, they are individually fabricated to take into account water flow rates and ground conditions that differ from site to site. JFC catchpits have been widely and successfully used for applications including railway and highway drainage systems.

| | |
|------------------------|---|
| Material | High Density Polyethylene |
| Application | Surface & Stormwater Drainage |
| Base Plate | Fully Welded |
| Connections | Spigot as standard (Coupler on request) |
| Catchpit Diameters (Ø) | As per table below |
| Inlet & Outlet Sizes | As per table below |
| Sump Depths (S) | 300mm standard * |
| Height (H) | As requested * |



*Bespoke Fabrications are made to order as per customer specific requirements - Please contact JFC for further details

| Catchpit Diameter (mm) | Inlet & Outlet Sizes (mm) | Standard Sump (mm) | Max Depth. Available (mm) |
|------------------------|--------------------------------|--------------------|---------------------------|
| Ø450 | 150 & 225 | 300 | 2000 |
| Ø600 | 150, 225 & 300 | 300 | 2000 |
| Ø750 | 150, 225, 300, 375, & 450 | 300 | 2000 |
| Ø900 | 150, 225, 300, 375, 450, & 600 | 300 | 4000 |
| Ø1050 | 150, 225, 300, 375, 450, & 600 | 300 | 4000 |
| Ø1200 | 150, 225, 300, 375, 450, & 600 | 300 | 4000 |
| Ø1500 | 150, 225, 300, 375, 450, & 600 | 300 | 4000 |
| Ø1800 | 150, 225, 300, 375, 450, & 600 | 300 | 4000 |
| Ø2100 | 150, 225, 300, 375, 450, & 600 | 300 | 4000 |

Quality Assurance:

JFC Catchpits - Network Rail Certificate of Acceptance PA05/05929.

Features & Benefits:

- Fast Installation
- Pre-Fabricated
- Bespoke as per customer specifications
- Designed to fit JFC CorriPipe™
- Catchpit covers available on request

It is believed that the information given in this publication is correct. The products marketed by the company are however, subject to continuous development and the company therefore reserves the right to alter information without notice. Copyright JFC July 2017. CAS-01507-W3R3X3